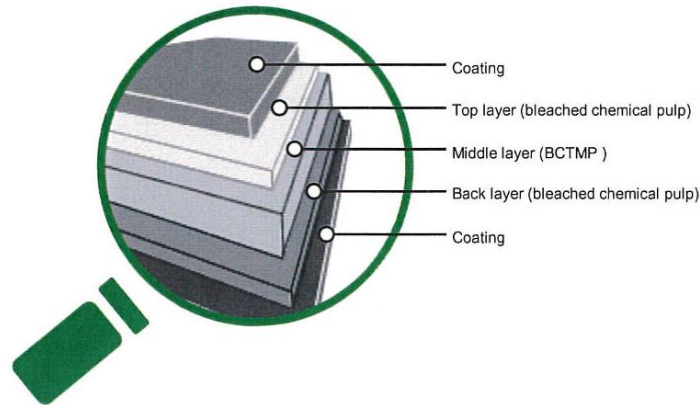


TECHNICAL SPECIFICATIONS

Folding box board - Silverpak -GC1

Origin: China



Property	Unit	Tolerance										Standard
Grammage	g/m ²	±3%	190	210	230	250	270	300	350	400		ISO536
Thickness	µm	±4%	240	270	300	330	355	400	480	560		ISO534
Moisture	%	±1.0	7	7	7	7	7	7.5	7.5	7.5		ISO287
Stiffness Taber 15° CD	mN.m	±15%	2.0	2.8	3.8	5.0	5.7	8.5	13.5	19.0		ISO2493
Stiffness Taber 15° MD	mN.m	±15%	4.2	5.6	7.5	11.0	11.5	17.0	27.0	38.0		ISO2493
Top Cobb (60s)	g/m ²	≤	60	60	60	60	60	60	60	60		ISO535
Back Cobb (60s)	g/m ²	≤	100	100	100	100	100	100	100	100		ISO535
Top Brightness	%	±3	91	91	91	91	91	91	91	91		ISO2470
Gloss75°	%	±10	50	50	50	50	50	50	50	50		TAPPI T480
Surface Roughness PPS10	µm	Max 1.5	1.0	1.0	1.0	1.0	1.0	1.0	1.0	1.0		ISO8791
Surface Strength	m/s	≥	1.2	1.2	1.2	1.2	1.2	1.2	1.2	1.2		ISO3783
Scott Bond	J/m ²	Min 150	180	180	180	180	180	180	180	180		TAPPI 569

Test climate 23°C/50% RH (According to ISO 187).

In order to verify, reel/pallet average shall be based on 5 single measurements randomly sampled within the reel/pallet.

These averages will be for at least 19 of 20 reels/pallets within the specification limits.

Mill Credentials

ISO9001 Quality Management System Certification, CN-00213Q10629R1M

ISO14001 Environmental Management System Certification, CN-00213E20195R1M

OHSAS18001 Occupational Health and Safety Management System Certification, CN-00213S10145R1M

QS License for Food Packaging Paperboard Production, 鲁XK16-205-00510

PEFC Certification for Chain of Custody of Forest Based Products, SGS-PEFC/CoC-1686